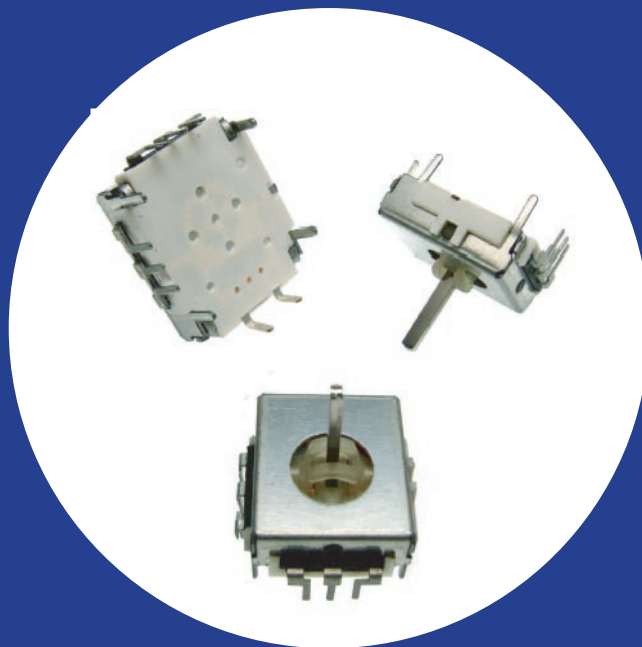


Two Axis, Half-height Mini-joystick With Optional Momentary Switch

Features

- Compact Size: 20x18x6mm (.79"x.71"x.24")
- Long Life 1 Million Cycles
- Optional momentary switch is operational at all rotations
- Sturdy metal case with convenient mounting tabs
- RoHS compliant



Pat. No: US 6,654,005 , Taiwan: 176676, China ZL02123347

Electrical and Mechanical Specifications

Potentiometer 1 & 2

Resistance Range

10 K ohms through 200 K ohms

Resistance Tolerance

Standard: $\pm 30\%$

Special: $\pm 10\%$, $\pm 20\%$ available

Dielectric Strength

250 VAC 60 Hz for 1 minute

Insulation Resistance

100 Megohms @ 250 VDC

Operation Torque

180 \pm 50 gf.cm

Power Rating

0.0125 watt @ 50°C, derated to load @ 85°C

Maximum Operating Voltage

50 VAC or 5 VDC maximum

Angle of Rotation

54° maximum

Life

1,000,000 cycles

Available Switch

Type

Momentary

Contact Resistance

100 milliohms maximum initially

200 milliohms max after 250,000 cycles
switching 5 mA @ 5VDC

Dielectric Strength

250 VAC 60 Hz for 1 minute

Insulation Resistance

100 Megohms minimum @ 100 VDC for 1 minute

Operational Force

1,200 \pm 260 gf

Power Rating

5 VDC, 5 mA maximum

Travel

0.5 \pm 0.4mm

Switch Life

250,000 cycles

Electrical and Mechanical Specifications

Potentiometer 1 & 2

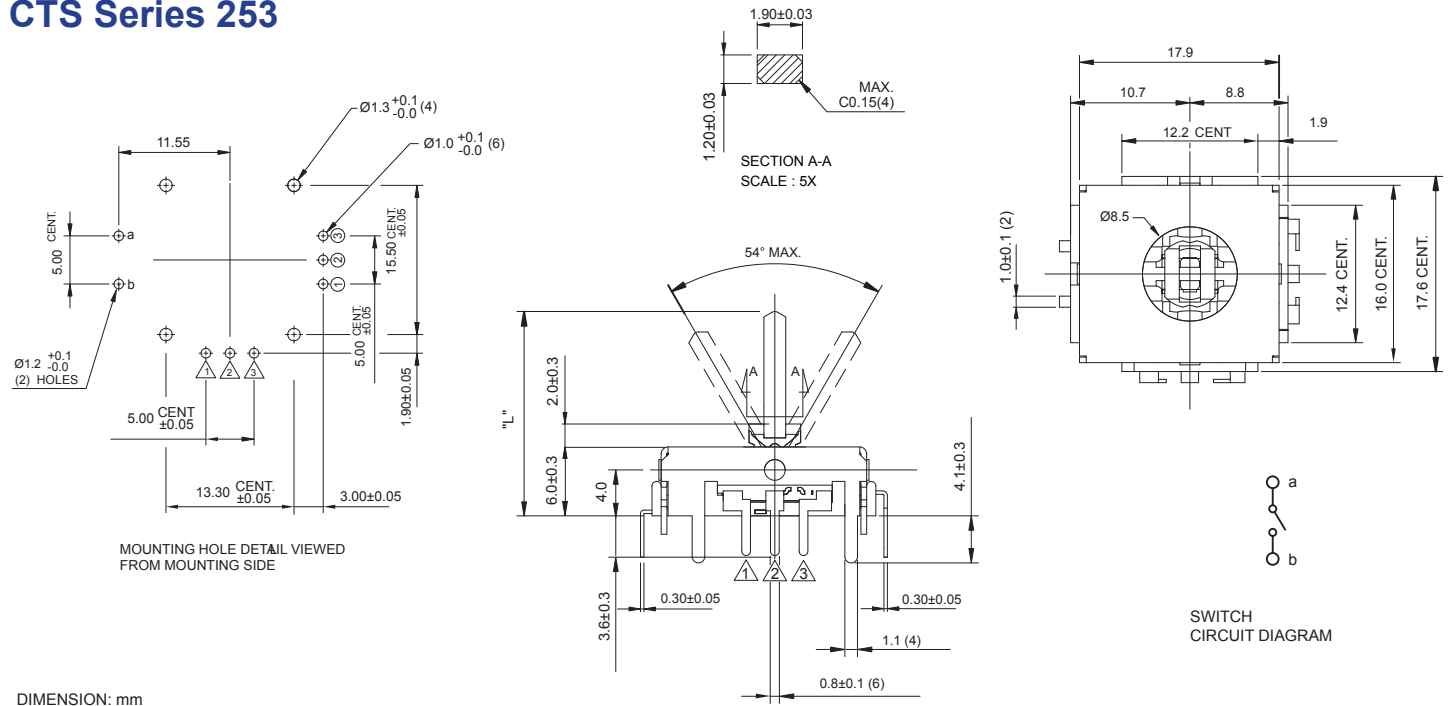
Operating Temperature
-10°C to + 70°C

Mounting Information
PC Terminals

Soldering Conditions
260 ± 5°C for 5 seconds

Caution
Please use extra mechanism to restrict rotational angle at less than 54 degree or there will be bumpy or rugged rotational feeling

CTS Series 253



Ordering Information

